

# Base

## Catalogue

Our Australia made foundations can be custom made. Look inside to see all available base options.

Fabric: Stamford White Ash

microCloud



# CONTENTS

We have many base options to choose from- low or high profile, floating and multiple leg options. We have a large selection of fabrics and colours to choose from.



**PAGE.6**

**5. KNOCKDOWN BASE**

**4. COLOUR & FABRIC OPTIONS**  
Choose from our wide variety of fabrics and colours.

**PAGE.4**

**1. HEIGHT OPTIONS**  
Our mattress foundations are made locally so we can supply custom made bases to suit everyone's needs.

**PAGE.2**

**2. LEGS OPTIONS**  
A 4 inch leg and glide is our standard leg but we have many height options. We also have leg and lockable castors.

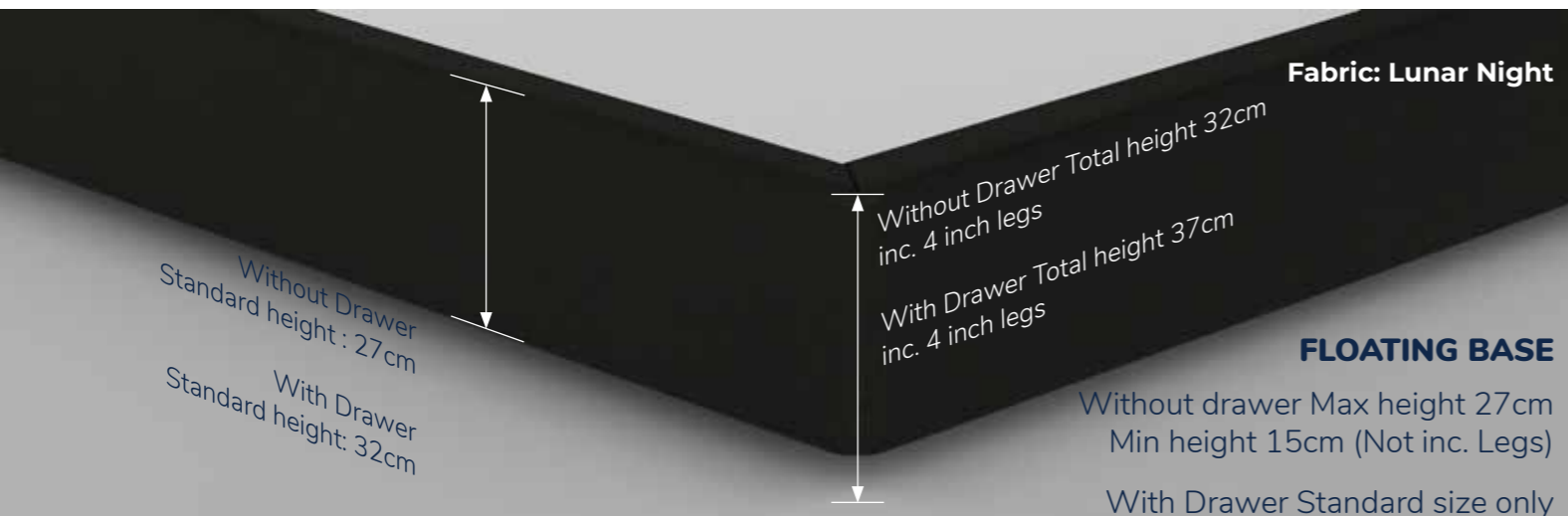
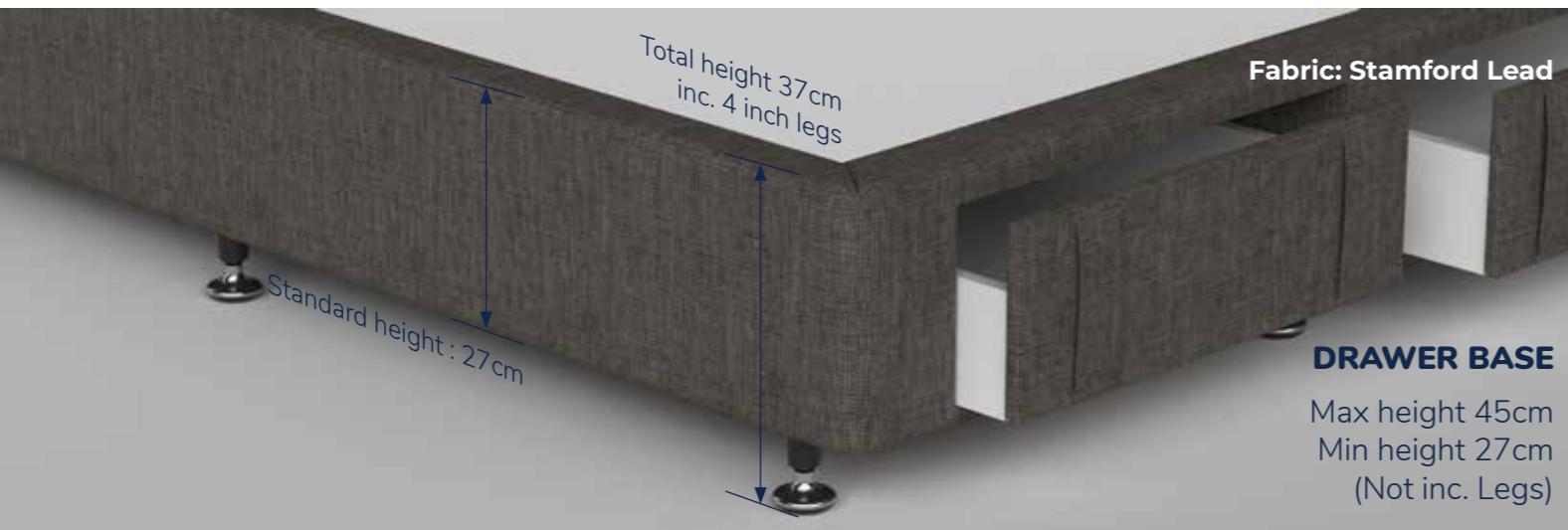
**PAGE.2**

**PAGE.3**

**3. DRAWER OPTIONS**  
You can choose the position and how many drawers go into the base.

# PROFILE HEIGHT OPTIONS

Our mattress foundations are made locally so we can supply custom made bases to suit everyone's needs.



# LEG OPTIONS

A silver 4 inch leg and glide is our standard leg except our basic fabric bases are supplied with black leg and castor. We have many height options and our bases use 5/16 thread.



## BLACK | SILVER LEG & GLIDE

Other available sizes

Glide only 2 Inch	3 Inch	6 Inch
----------------------	--------	--------



## BLACK LEG & CASTOR

Other available sizes

Castor only 2 Inch	3 Inch	6 Inch
-----------------------	--------	--------



## BLACK LEG & LOCKABLE CASTOR

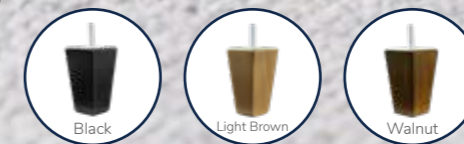
Other available sizes

Lockable Castor only 2 Inch	3 Inch	6 Inch
-----------------------------------	--------	--------



## TIMBER LEG

Size 4 inch  
Colour: Chocolate, Black, Light Brown & Walnut  
Material: Pine

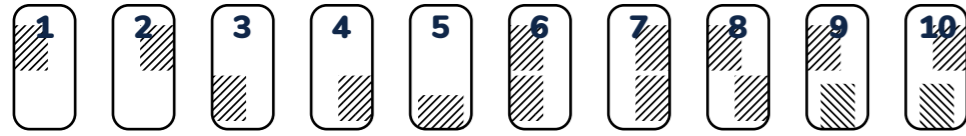


# DRAWERS OPTIONS

You can choose the position and how many drawers go into the base.

N.B. All options are available with floating skirt.

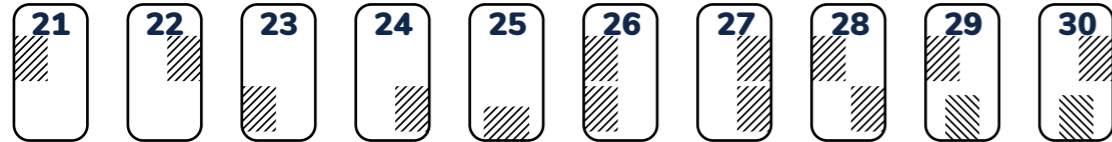
## SINGLE



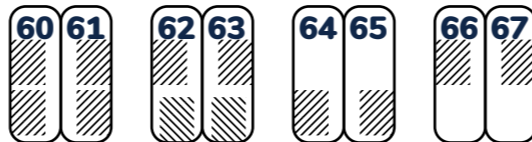
## LONG SINGLE



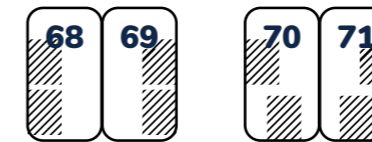
## KING SINGLE



## NARROW LONG SINGLE (Split QS)



## SPLIT SUPER KING



## DOUBLE



## QUEEN



## EAST WEST QUEEN



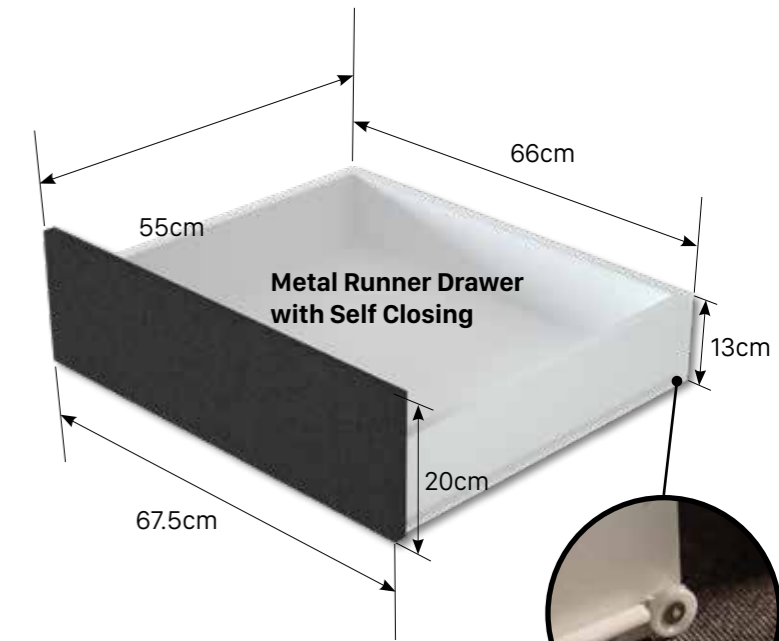
## EAST WEST KING



## EAST WEST SUPER KING

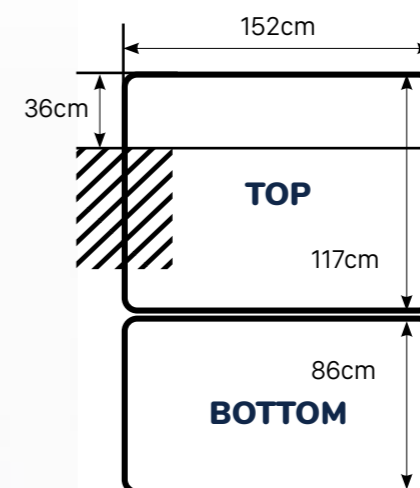


## DRAWER DIMENSIONS



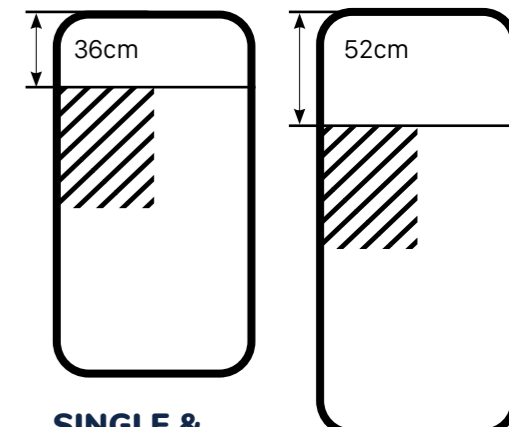
Metal Runner

## EAST WEST



QUEEN & KING

## STANDARD



SINGLE & DOUBLE

LONG SINGLE, KING SINGLE, QUEEN, SPLIT QUEEN & SPLIT SUPER KING



# COLOUR & FABRIC OPTIONS

Choose from our wide variety of fabrics and colours.



# WARWICK

## BEACHCOMBER

BEACHCOMBER features a textured, two-tone finish from its woven, cationic yarns. A dry and natural handle teamed with a polyester knit backing gives BEACHCOMBER its robust, durable feel. Commercial or residential, this classic Warwick fabric has been invigorated and refined, ready for any challenge.



FIRE RATED



EASY CLEAN



HEAVY DUTY  
COMMERCIAL GRADE



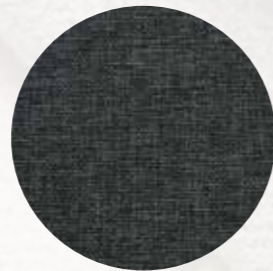
OEKO-TEX  
STANDARD 100



Beachcomber Taupe



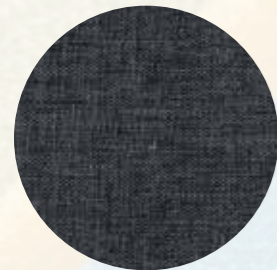
Beachcomber Oatmeal



Beachcomber Graphite



Beachcomber Sable



Beachcomber Smoke



Beachcomber Ash

## GILI & BERGE

Featuring a silky chenille structure that offers tempting surface feel with a subtle pop of colour.



FIRE RATED



EASY CLEAN



HEAVY DUTY  
COMMERCIAL GRADE



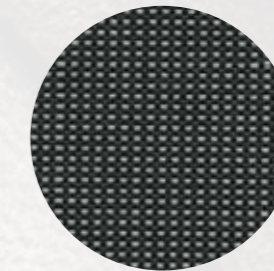
OEKO-TEX  
STANDARD 100



Gili Wolf



Gili Zebra



Berge Asphalt

## RAMSEY

RAMSEY features a distinctive, small-scale honeycomb weave for a sophisticated look. RAMSEY is a versatile and durable collection.



FIRE RATED



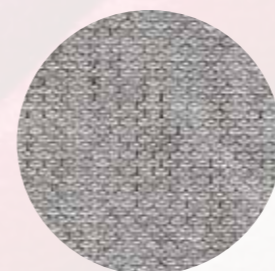
EASY CLEAN



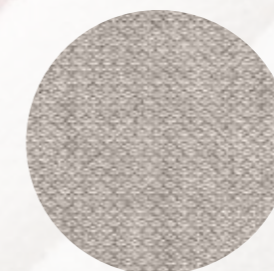
COMMERCIAL GRADE



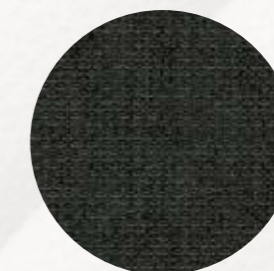
OEKO-TEX  
STANDARD 100



Mist



Ivory



Pewter

\*Actual fabric colour may vary from picture.

# COLOUR & FABRIC OPTIONS

Choose from our wide variety of fabrics and colours.

## STAMFORD

With a timeless plain design and carefully curated colours, Stamford is the perfect heavy commercial fabric for all upholstery needs.

### SWISH

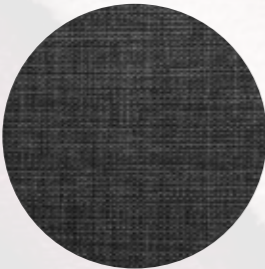
EASY CLEAN



OEKO-TEX  
STANDARD 100



Stamford Chalk



Stamford Lead



Stamford Noir



Stamford Warm Grey



Stamford White Ash

## LUNAR

Inspired by the muted tones of the Australian landscape, Lunar is a durable and high-quality fabric made from 100% polyester.

### SWISH

EASY CLEAN



OEKO-TEX  
STANDARD 100



Lunar Graphite



Lunar Hessian



Lunar Linen



Lunar Shadow



Lunar Night



Lunar Natural



Lunar Mousse



Lunar Wheat



Lunar Platinum

# COLOUR & FABRIC OPTIONS

Choose from our wide variety of fabrics and colours.

## MACROSUEDE

Soft touch with a selection of bright and bold colours, the Heavy Domestic fabric Panache is ideal for creating a sense of luxury with its lustrous sheen.



Macrosuede Panache Shale



Macrosuede Panache Azure

## QUAVOS

For the teenagers and brighten up the show room.



Quavos Peacock



Quavos Zara



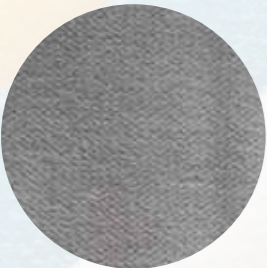
Quavos Sunburst



Quavos Rainforest

## LUXE VELVET

Velvet has short cut threads with a short dense pile, giving it a distinctive soft feel. It is heavy and durable with a lustrous sheen.



Luxe Velvet Grey

## BASIC RANGE

Long lasting fabrics and affordable (supplied with black 4 inch leg and castor)

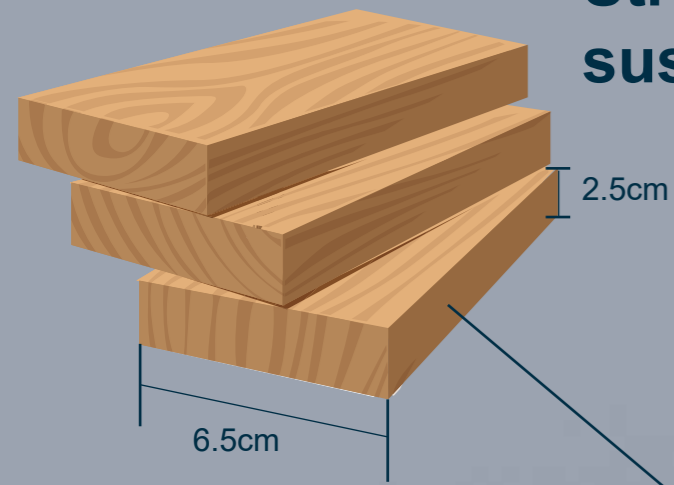


Cotton Commercial

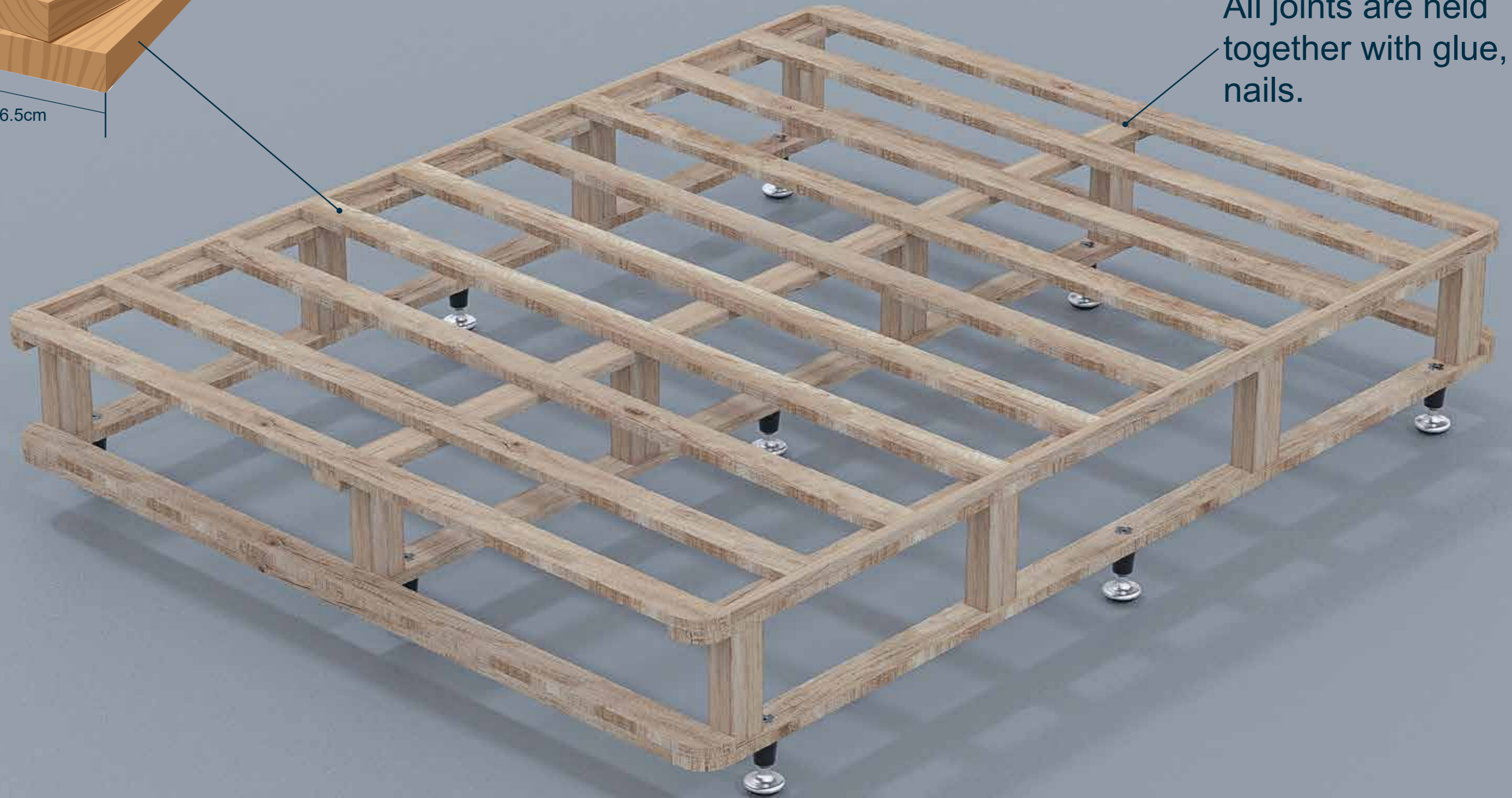


White Damask

**Strong and light weight Australian timber sourced from sustainable plantations**



All joints are held together with glue, nails.



## Number of slats

Single: 9    Long Single: 10    King Single: 10

Double: 9    Queen: 10

**microCloud**